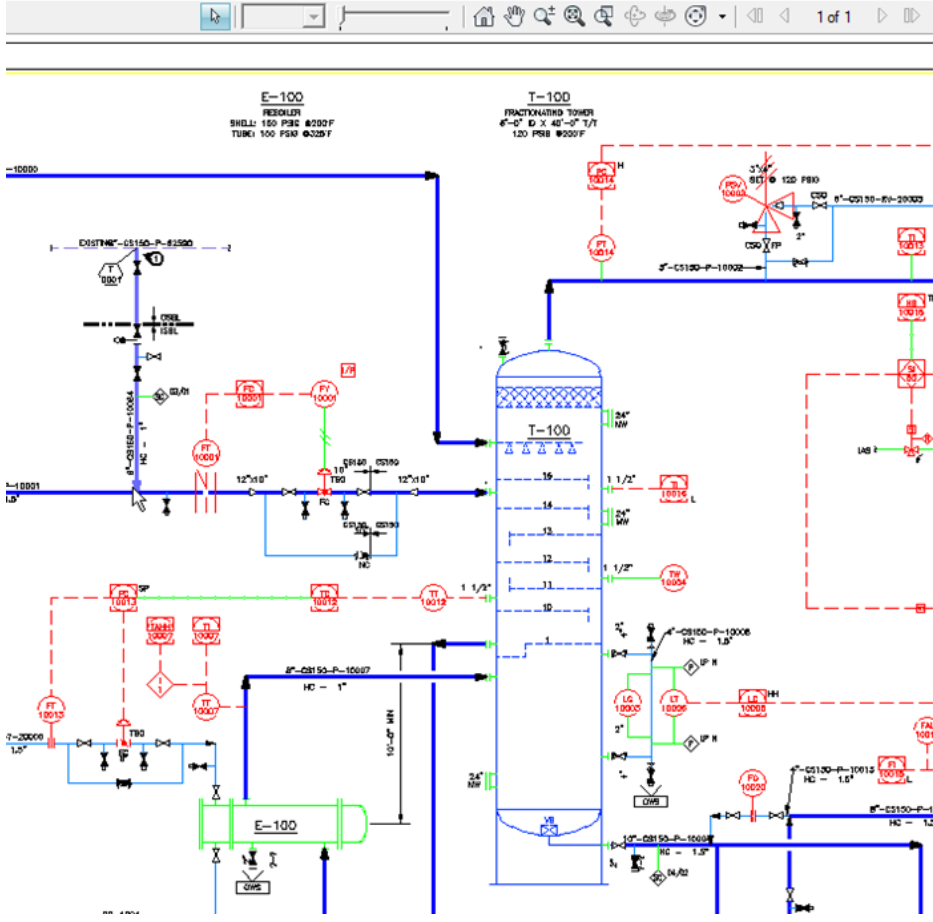




0-WEB.ru

[Plant 3D Pid](#)



Object Properties	
Name	Value
<input checked="" type="checkbox"/> Vessel	
Description	FRACTIONATING TOWER
Design Pressure	120 PSIG
Design Temperature	200%DF
Height	40'-0" T/T
Number	100
Tag	T-100
Type	T
Width	6'-0" ID

Plant 3D Pid

Sheet Properties
Views
Cross Sections
Layers
Text Data
Grid Data
Find



0-WEB.ru

The system is supplied with comprehensive piping element catalogues, to help the quick style of whole pipe techniques.. Plant 3D Pid Software Program OffersThe 3D software program offers the time frame for rule-based quotation creation, integrated design, specialized presentation, comprehensive design and documentation of your tasks.

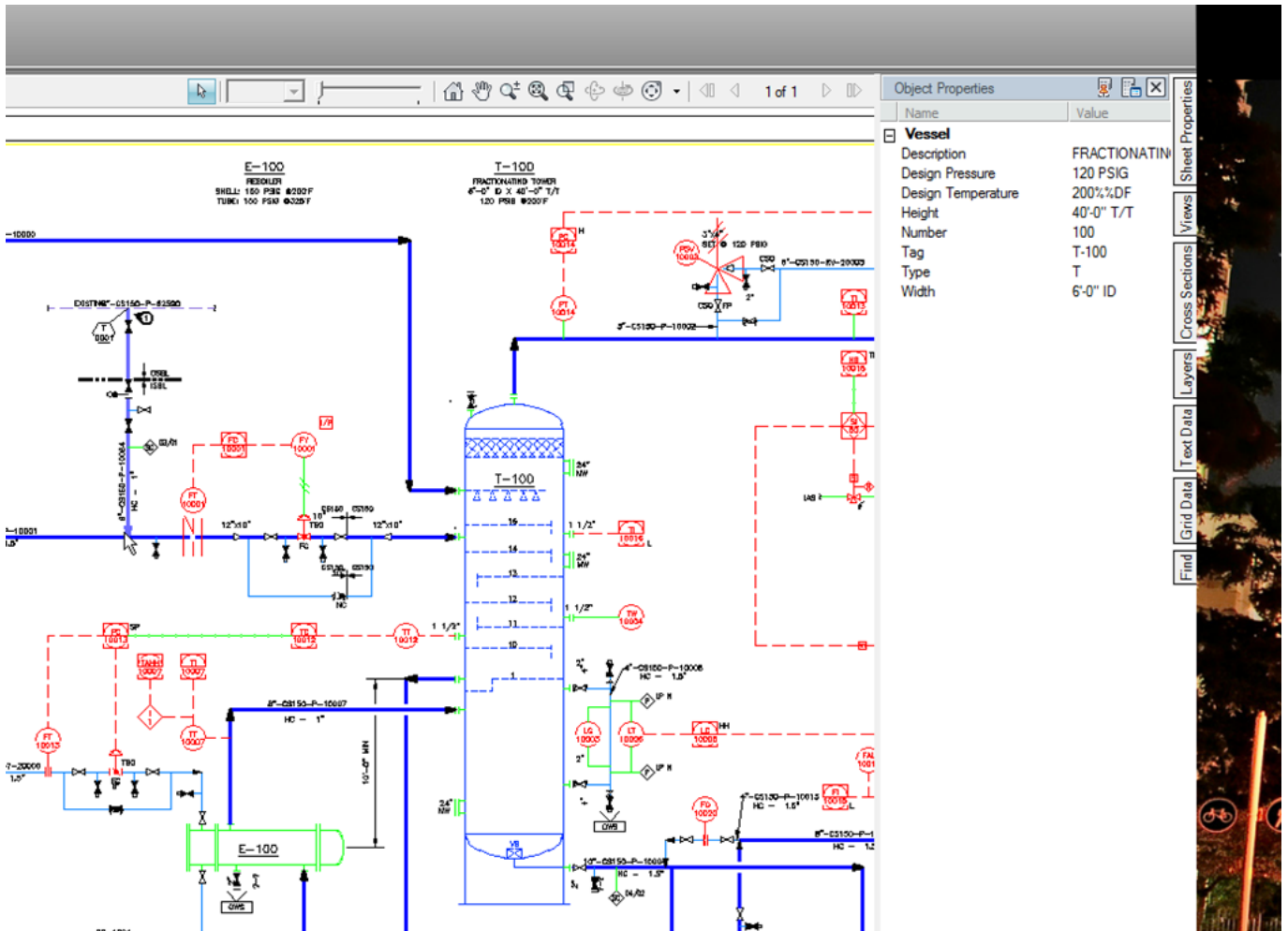
1. [plant cell](#)
2. [plantar fasciitis](#)
3. [plant drawing](#)

An integrated auto-routing device is furthermore obtainable for fast pipe layout.. Its reliability, flexibility, speed, ease of use, compatibility with third party systems, and ability to provide data for our downstream QA and financial control procedures is definitely a large advantage to our business.. In addition, our customers advantage from a more accurate overview of the set up design and can rapidly supply us with responses.

plant cell

plant cell, plant meaning, plant dictionary, plant definition, plant science, plant synonym, plant drawing, plant vs zombies, plants, plantar fasciitis, plant based diet [Mac Pdf Expert Crack Keygen](#)

Specialised equipment for adding gradients to individual pipe joints and inserting mounting bolts and gaskets are available for adding further fine detail.. Additional segments for developing and steelwork design provide comprehensive multi-disciplinary style capabilities.. This indicates that PIDs can become utilized as the foundation for the following 3D design stage.. The software program also offers a comprehensive variety of superior features to improve your styles. [valentino rossi die arzt schriftbilder](#)



[Quicktime For Macos High Sierra](#)

plantar fasciitis

[Elm 327 Abs Software For Laptop](#)

The tasks cost efficiency can become examined at any time by methods of reports and parts listings that are automatically created by the program. [Gibson Les Paul Cracked Binding](#)

plant drawing

[Nav Mekik Barfiks Program: Software Free Download](#)

We have got benefited hugely from CAD Schroers dedication to product creativity, and the unremitting personal dedication of its group of specialized specialists during and beyond the upgrade procedure.. Plant 3D Pid Software Program OffersM4 Place offers an intensive range of tools for selecting piping components, as well as their placement and replacement unit.. With Michael4 Herb, your projects can end up being planned actually faster, irrespective of size, to a quite high standard from the extremely first phase.. This directed to significant time and cost cost savings for the corporation The individual modules protect a broad range of design disciplines.. Benefit from the numerous advantages of sophisticated functionality and great service.. With the help of Meters4, design mistakes and mistakes have become an total rarity for us, and our style times have got also significantly reduced.. For producing piping isometric diagrams, Meters4 Flower utilises Meters4 ISO, an simple to make use of, fully integrated plan that automatically generates fully dimensioned piping isometric sketches at the press of a switch, ready

for tube fabrication.. It supports the fast and simple design of complicated 3D piping systems for plants, industries and large techniques. 6e4e936fe3 [Instagram App For Mac Laptop](#)

6e4e936fe3

[Download free van camper conversion manufacturers for mac](#)